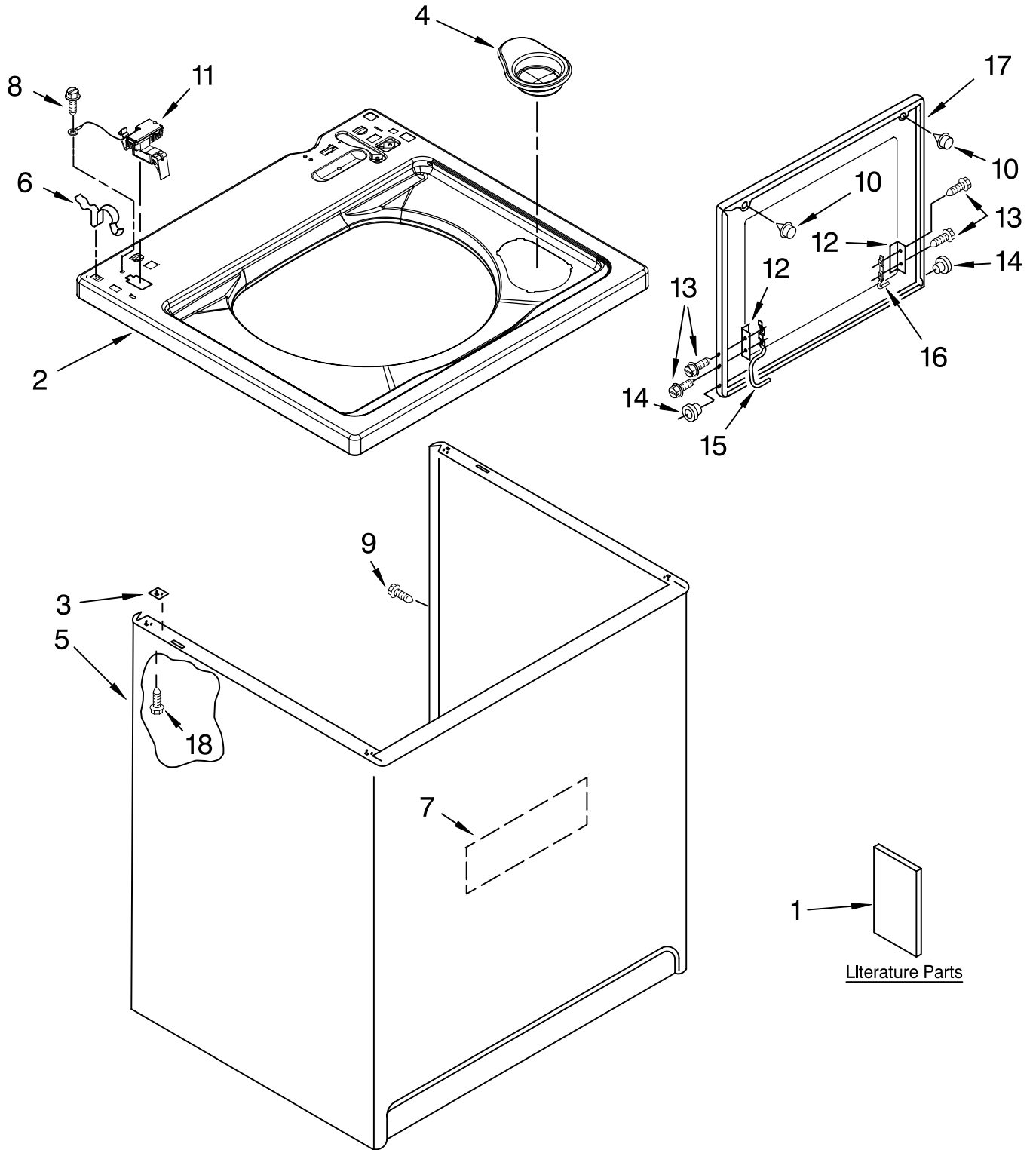




TOP AND CABINET PARTS

For Models: WTW5800SW0, WTW5800SG0
(White/Grey) (Biscuit/Gold)

AUTOMATIC
WASHER



FOR ORDERING INFORMATION REFER TO PARTS PRICE LIST

TOP AND CABINET PARTS

For Models: WTW5800SW0, WTW5800SG0
(White/Grey) (Biscuit/Gold)

Illus. No.	Part No.	DESCRIPTION
1		Literature Parts
	W10044800	Installation Instructions
	3955884	Use & Care Guide
	3957873	Feature Sheet
	W10023760	Energy Guide
	8577790	Wiring Diagram

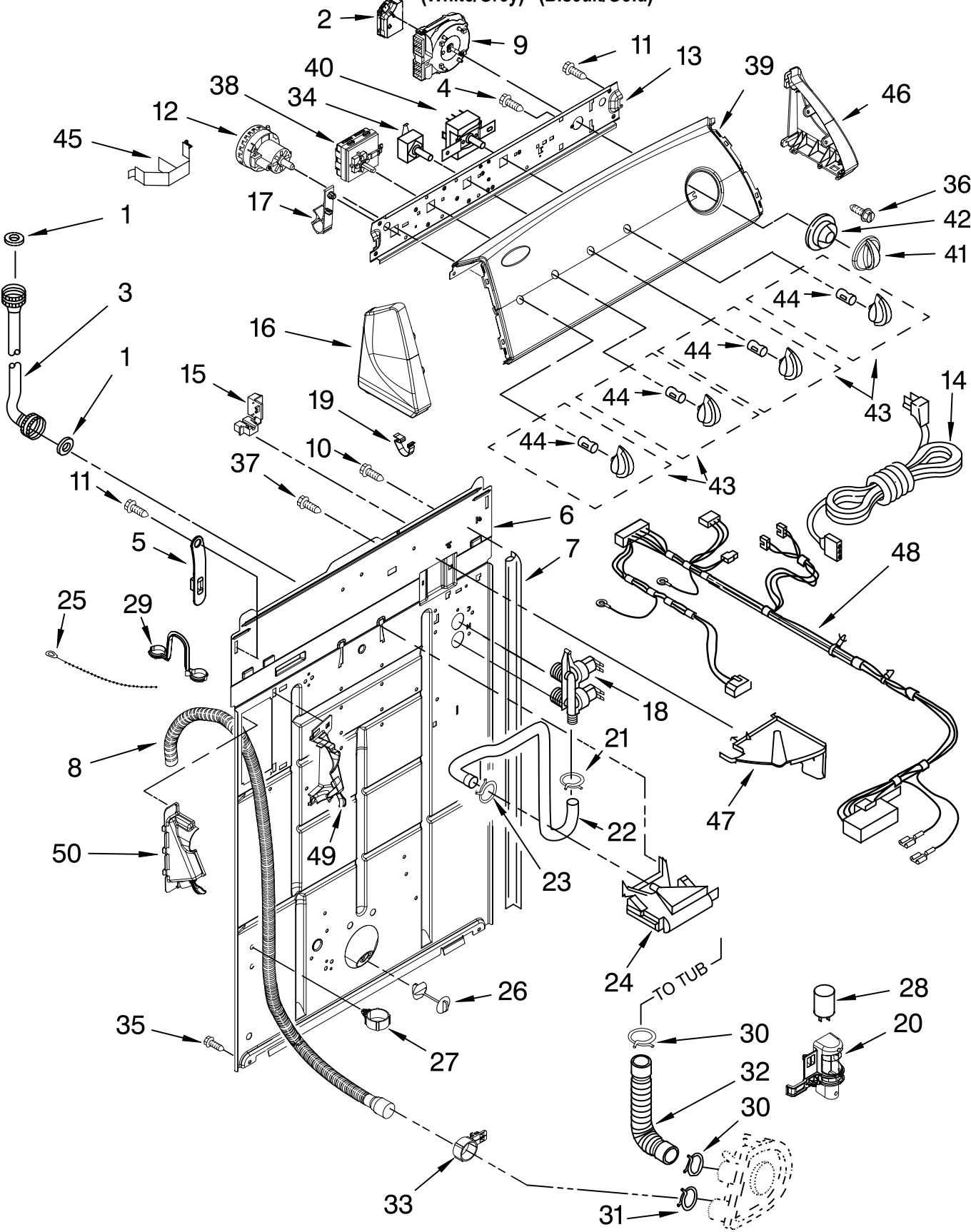
Following May Be Purchased

DO-IT-YOURSELF REPAIR MANUALS

	4313896	Manual, Washer
2		Top
	8566017	White
	8580044	Biscuit
3	62750	Spacer, Cabinet To Top (4)
4	8566266	Dispenser, Bleach
5		Cabinet
	63424	White
	3954357	Biscuit
6	62780	Clip, Top & Cabinet & Rear Panel (2)
7	3976348	Cabinet-Sound Damper
8	3351614	Screw, Ground
9	3357011	Screw, 10-16 x 1/2
10	9724509	Bumper, Lid (2)
11	8318084	Switch, Lid
12	21097	Pad, Hinge
13	355274	Screw, Lid Hinge Mounting (4)
14	8319539	Bearing, Lid Hinge (2)
15	8559336	Hinge, Lid (L.H.)
16	91770	Hinge, Lid (R.H.)
17		Lid
	8580057	White
	8580058	Biscuit
18	3390631	Screw, 10-16 x 3/8 (4)

CONTROLS AND REAR PANEL PARTS

For Models: WTW5800SW0, WTW5800SG0
(White/Grey) (Biscuit/Gold)



FOR ORDERING INFORMATION REFER TO PARTS PRICE LIST

CONTROLS AND REAR PANEL PARTS

For Models: WTW5800SW0, WTW5800SG0

(White/Grey) (Biscuit/Gold)

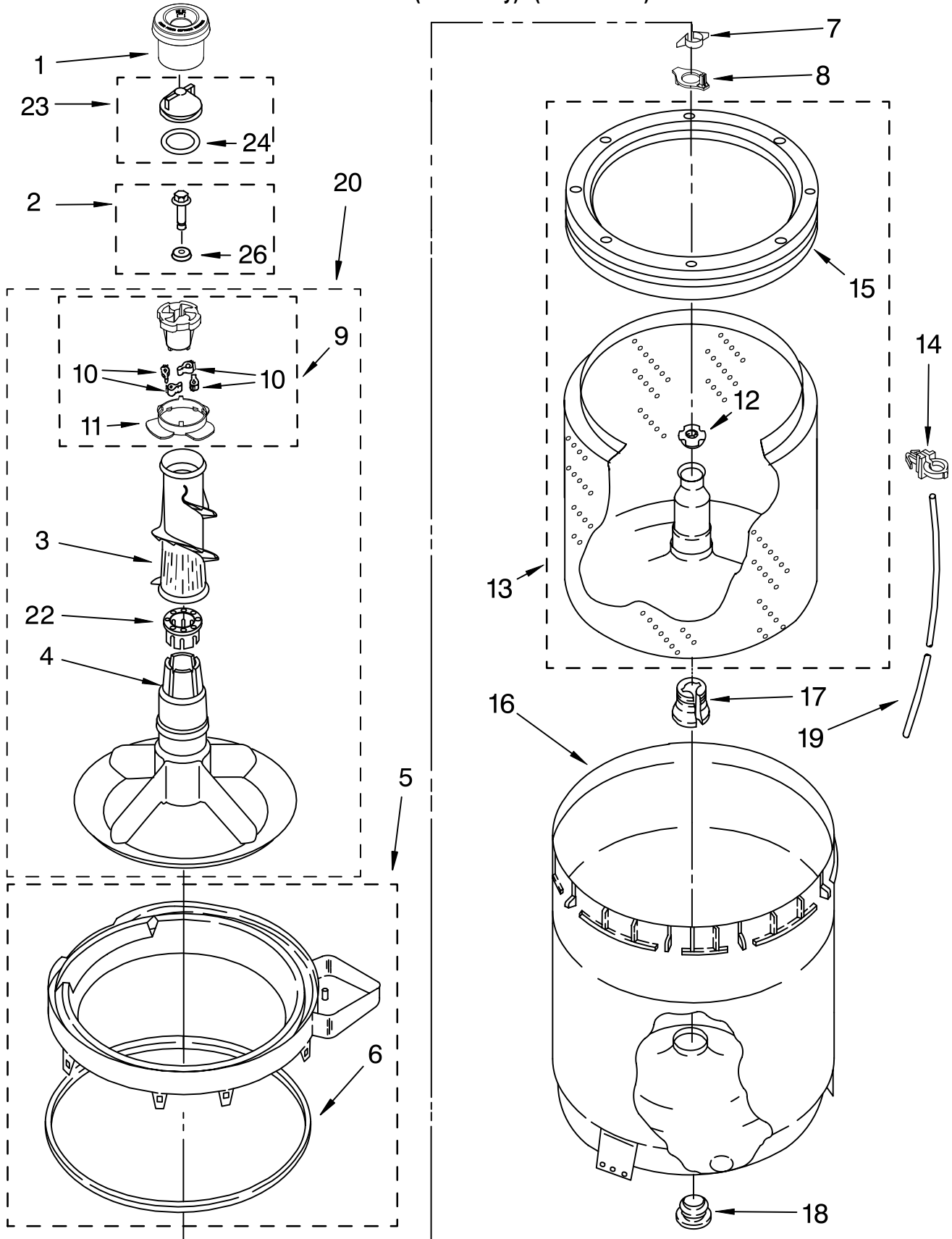
Illus. No.	Part No.	DESCRIPTION	Illus. No.	Part No.	DESCRIPTION	Illus. No.	Part No.	DESCRIPTION
1	3976300	Washer, Water Inlet Hose (4) (1-1/16 x 5/8)	16		Cap, End (L.H.) (Includes Item 19)	38	8577786	Switch, Water Temperature (ATC)
2	8576472	Circuit Board, Agitation Delay		8566035	White	39		Panel, Console
3		Hose, Water Inlet (2)	17	8317975	Retainer, Harness		8578811	Silver
	8571377	Blue Coupler	18	3979347	Valve, Water Inlet & Thermistor Assy.	40	8578812	Gold
	8571378	Red Coupler	19	8312709	Clip, Console	41	8578536	Switch, Rotary
4	3400073	Screw, Ground	20	8318046	Clip, Capacitor		W10034730	Silver
5	8568314	Strap, Console (2)	21	301958	Clamp, Hose		W10034740	Biscuit
6	8318015	Panel, Rear	22	8317974	Hose, Vacuum Break	42	8566018	Dial, Timer
7	62747	Pad, Rear Panel	23	370450	Clamp, Hose	43		Knob, Control
8	8559373	Drain Hose Assembly (Includes Items 27 & 33)	24	387606	Break, Vacuum		W10034380	Silver
9	8577787	Timer, Control (60 Hz.) (Motor Not A Service Part)	25	3347868	Cable Tie		W10034390	Biscuit
10	3351614	Screw, Ground	26	8519200	Support, Rear Panel	44	8536939	Clip, Knob
11	90767	Screw, 8-18 X 3/8	27	8541667	Clamp, Hose	45	8055003	Clip, Harness & Pressure Hose
12	8577842	Switch, Water Level	28	8572718	Capacitor, Motor Start	46		Cap, End (R.H.) (Includes Item 19)
13	8566003	Bracket, Control	29	8577378	U-Bend, Drain Hose		8566032	White
14	3956162	Cord, Power (Includes Item 15)	30	3363366	Clamp, Hose		8566033	Biscuit
15	3952821	Strain Relief, Power Cord	31	8317496	Clamp, Hose	47	8539874	Shield, Suds
			32	3951449	Hose, Pump To Tub (Includes Item 30)	48	3958083	Harness, Wiring (Includes Item 40) (For Detail See Pages 9 & 10)
			33	8541668	Clamp, Hose	49	8541669	Bucket, Drain Hose (Left Half)
			34	3949187	Switch, Rotary	50	8541658	Bucket, Drain Hose (Right Half)
			35	62863	Screw, 10-16 x 3/8			
			36	3400818	Screw, Timer Mounting			
			37	9740848	Screw, 8-18 x 1/2			

FOR ORDERING INFORMATION REFER TO PARTS PRICE LIST

AGITATOR, BASKET AND TUB PARTS

For Models: WTW5800SW0, WTW5800SG0

(White/Grey) (Biscuit/Gold)



FOR ORDERING INFORMATION REFER TO PARTS PRICE LIST

AGITATOR, BASKET AND TUB PARTS

For Models: WTW5800SW0, WTW5800SG0

(White/Grey) (Biscuit/Gold)

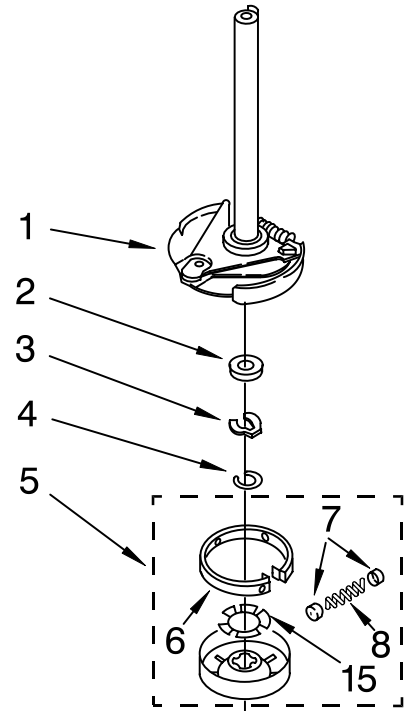
Illus. No.	Part No.	DESCRIPTION
1	8575076	Dispenser
2	358237	Screw & Washer (5/16-24 x 1)
3	3363003	Clothes Mover
4	3951632	Agitator
5	8528150	Tub Ring & Gasket
6	3976308	Seal, Tub Ring
7	3354845	Clip, Agitator
8	8543666	Washer, Agitator
9	3951682	Cam, Driven
10	3366877	Dog, Agitator Clutch (4)
11	3952374	Bearing-Driven Cam
12	21366	Nut, Spanner
13	8526016	Basket & Balance Ring
14	2219077	Clip, Pressure Switch Hose
15	8519788	Balance Ring
16	63849	Tub
17	389140	Block, Basket Drive
18	383727	Gasket, Centerpost
19	3347780	Hose, Pressure Switch
20	3951744	Agitator (Complete)
22	3951608	Spacer, Thrust
23	3354733	Cap, Barrier
24	3348855	Seal, Inner Cap
26	3949550	Washer

FOR ORDERING INFORMATION REFER TO PARTS PRICE LIST

BRAKE, CLUTCH, GEARCASE, MOTOR AND PUMP PARTS

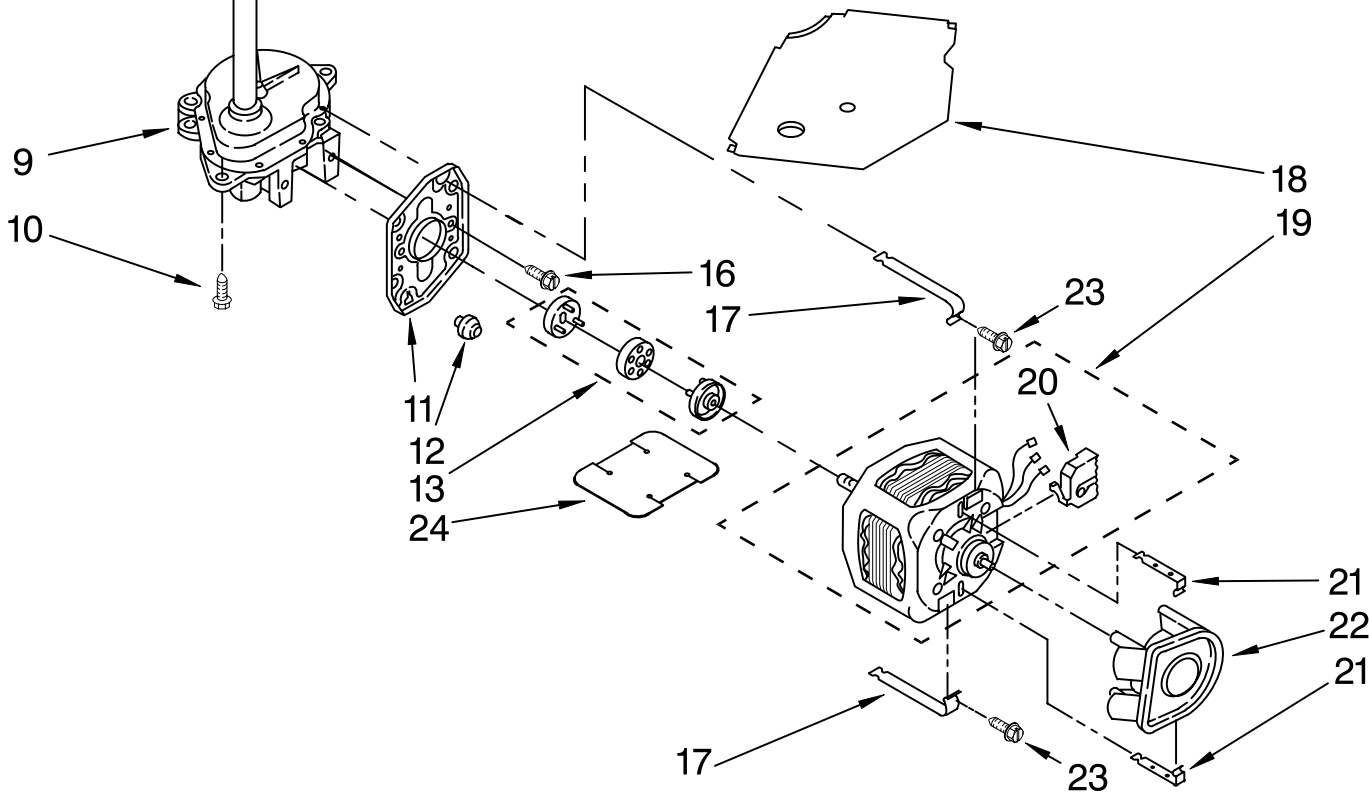
For Models: WTW5800SW0, WTW5800SG0

(White/Grey) (Biscuit/Gold)



Illus. No.	Part No.	DESCRIPTION
1	388952	Brake & Drive Tube (Complete) (Refer to Page 11 For Further Breakdown)
2	63292	Washer, Spin Tube Thrust
3	62697	Ring, Spin Tube Support
4	63283	Ring, Retainer
5	3951311	Clutch (Complete)
6	3951308	Band & Lining, Clutch (Includes Items 7 & 8)
7	62646	Cap, Clutch Spring (2)
8	3946792	Spring, Clutch
9	3360630	Gearcase (Complete) (Refer To Page 12 For Further Breakdown)

Illus. No.	Part No.	DESCRIPTION
10	3357334	Screw, Gearcase To Base (3)
11	62611	Plate, Motor Mount To Gearcase
12	62691	Grommet, Motor (4)
13	285753	Coupling, Motor & Isolation
15	3355454	Clip, Anti-Rattle
16	3400516	Screw
17	3349637	Retainer, Motor (2)
18	3362089	Shield, Tub To Motor
19	8529935	Motor, Main Drive
20	8529896	Switch, Main Drive Motor
21	8546127	Retainer, Pump (2)
22	3363394	Pump (Complete)
23	3387485	Screw, 10-16 x 5/8
24	3946532	Shield, Motor

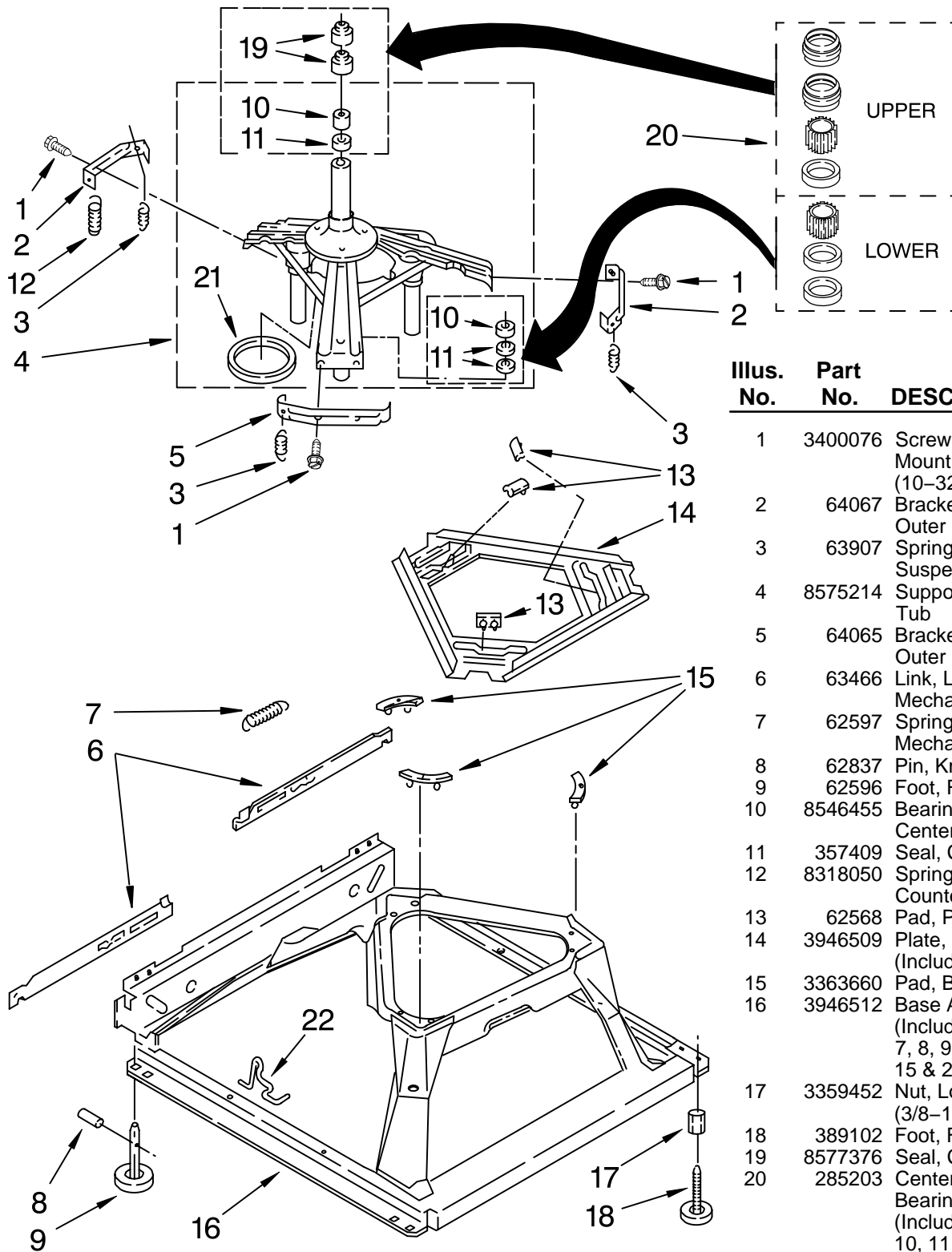


FOR ORDERING INFORMATION REFER TO PARTS PRICE LIST

MACHINE BASE PARTS

For Models: WTW5800SW0, WTW5800SG0

(White/Grey) (Biscuit/Gold)

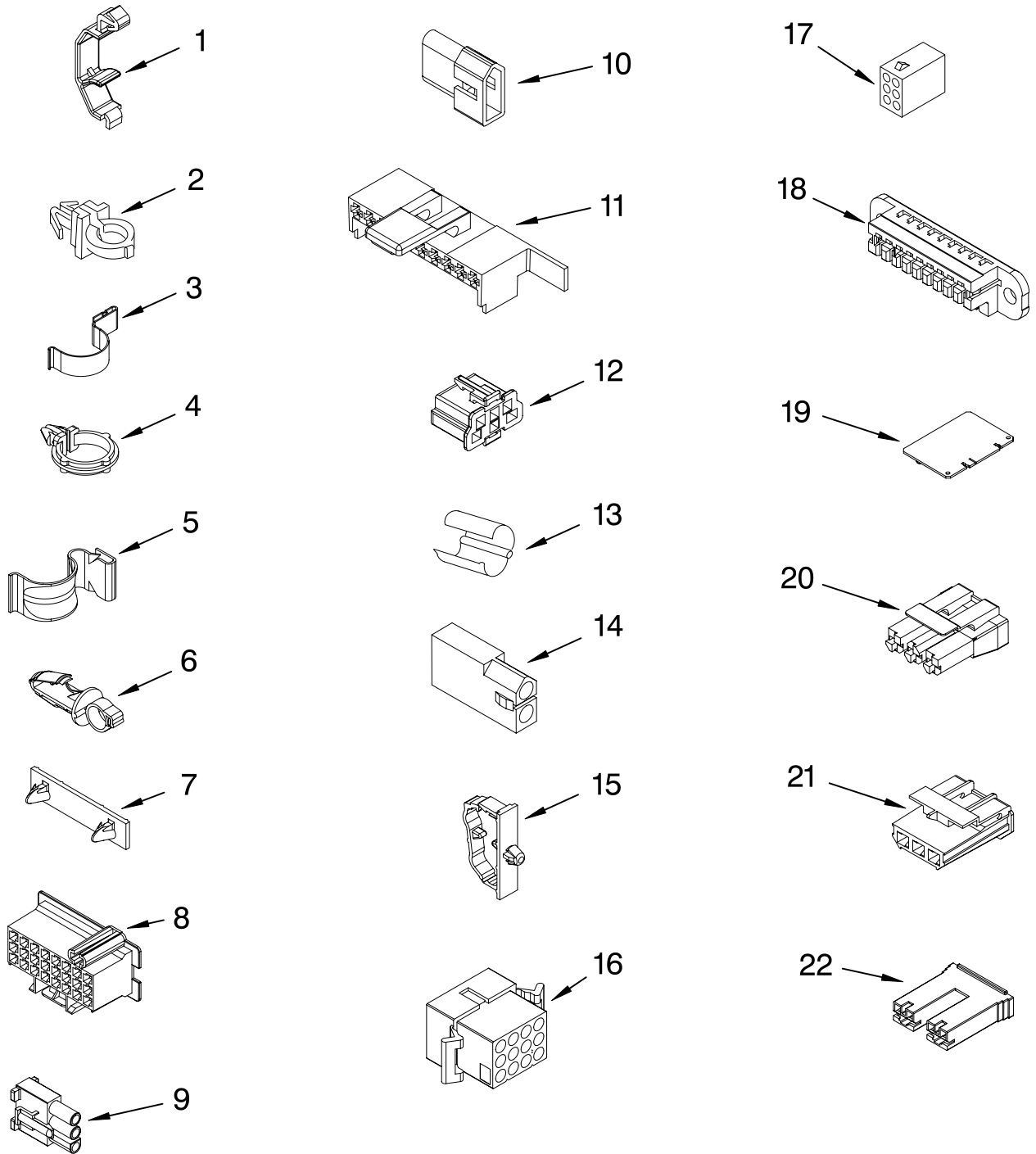


Illus. No.	Part No.	DESCRIPTION
1	3400076	Screw, Bracket Mounting (10-32 x 5/8)
2	64067	Bracket, Spring Outer (2)
3	63907	Spring Suspension,(3)
4	8575214	Support & Brake, Tub
5	64065	Bracket, Spring Outer (L.F.)
6	63466	Link, Leveling Mechanism (2)
7	62597	Spring, Leveling Mechanism
8	62837	Pin, Knurled
9	62596	Foot, Rear (2)
10	8546455	Bearing, Centerpost (2)
11	357409	Seal, Centerpost (3)
12	8318050	Spring, Counterweight
13	62568	Pad, Plate
14	3946509	Plate, Suspension (Includes Item 13)
15	3363660	Pad, Base
16	3946512	Base Assembly (Includes Items 6, 7, 8, 9, 13, 14, 15 & 22)
17	3359452	Nut, Lock (2) (3/8-16)
18	389102	Foot, Front (2)
19	8577376	Seal, Centerpost
20	285203	Centerpost Bearing Kit (Includes Items 10, 11 & 19)
21	63134	Ring, Sound Deadening
22	63806	Retainer, Suspension Spring

FOR ORDERING INFORMATION REFER TO PARTS PRICE LIST

WIRING HARNESS PARTS

For Models: WTW5800SW0, WTW5800SG0
(White/Grey) (Biscuit/Gold)



WH2I

FOR ORDERING INFORMATION REFER TO PARTS PRICE LIST

WIRING HARNESS PARTS

For Models: WTW5800SW0, WTW5800SG0

(White/Grey) (Biscuit/Gold)

Illus. No.	Part No.	DESCRIPTION	Illus. No.	Part No.	DESCRIPTION	Illus. No.	Part No.	DESCRIPTION
1	3349557	Clip, Harness	10	353424	Plug, Terminal (3-Way)	17	3347730	Receptacle (6-Way)
2	388498	Clip, Harness			(Power Cord)			(Use Term. 94613)
3	3347812	Clip, Harness			(Use Term.94613)	18	3349494	Connector, Etc
4	3352501	Clip, Harness	11	62505	Block, Disconnect (Motor 2 Speed)	19	3407125	E.T.C. Control
5	90016	Clip, Harness			(Use Term.352088)	20	3948617	Connector (T.P.A.) (3-Circuit)
6	3390496	Clip, Harness	12	3347243	Block, Disconnect (Use Term. 352088)	21	3360056	Connector (T.P.A.) (3-Circuit)
7	389379	Retainer, (Suds Models)	13	63523	Protector			(Pressure Switch)
8		Timer, Block Disconnect	14	717252	Connector (2-Way)	22		Block, Connector
	3948614	White			(Use Term.94614)		3354925	Cold Valve
	352089	Black	15	3352944	Clip, Harness		3354926	Hot Valve
9	62889	Receptacle, Terminal (3-Way) (Lid Switch) (Use Term.94613) Or 94614.)	16	3390423	Block, Disconnect (12-Way) (Timer) (Use Term. 94613)			

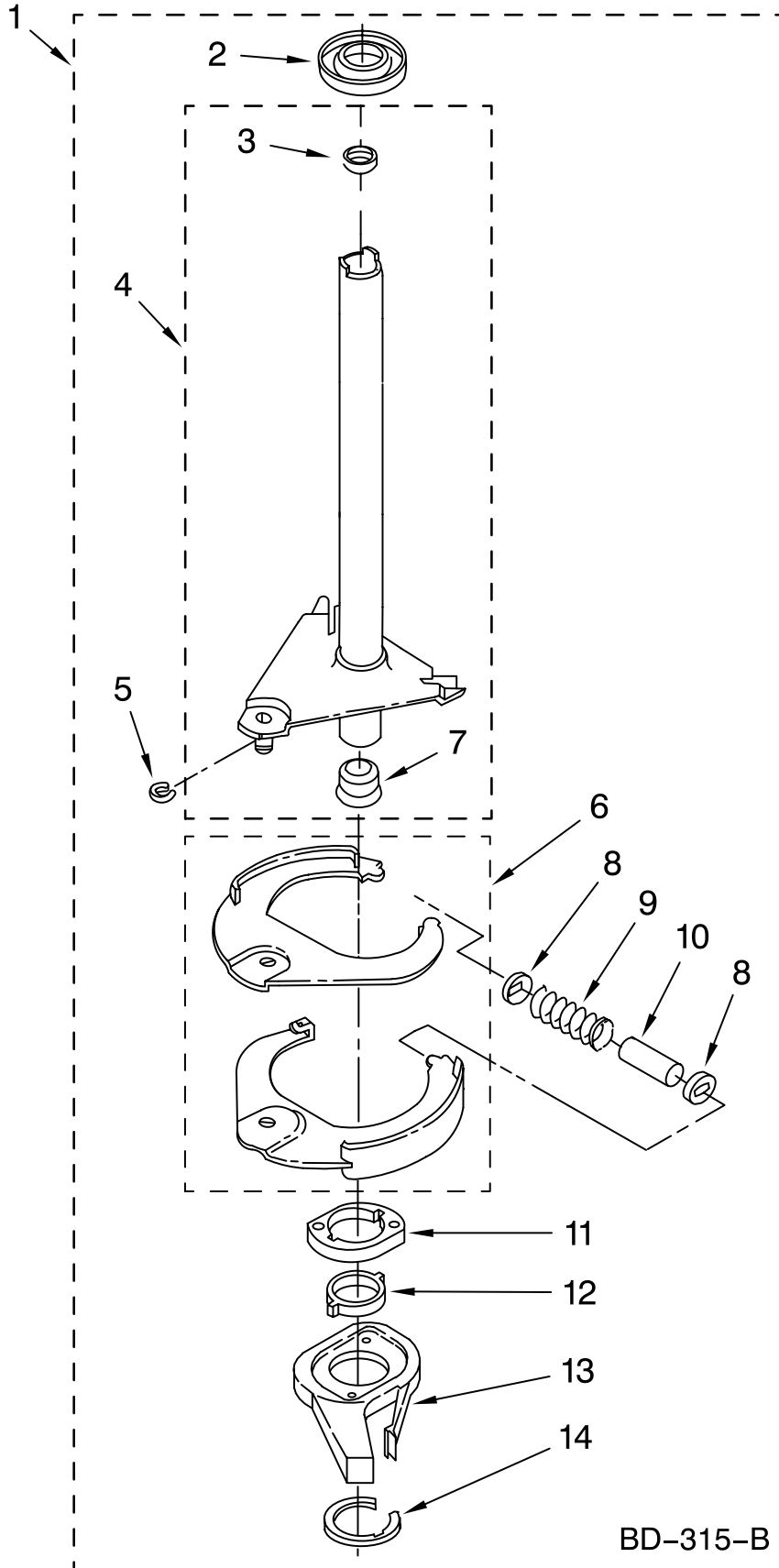
**FOR COMPLETE WIRING HARNESS REFER TO
CONTROL AND REAR PANEL PARTS PAGE**

WH2I

FOR ORDERING INFORMATION REFER TO PARTS PRICE LIST

BRAKE AND DRIVE TUBE PARTS

For Models: WTW5800SW0, WTW5800SG0
(White/Grey) (Biscuit/Gold)



Illus. No.	Part No.	DESCRIPTION
------------	----------	-------------

1	388952	Brake And Drive Tube (Complete)
2	62658	Ring, Thrust
3	356427	Seal, Drive Tube
4	64027	Tube, Basket Drive (Includes Illus. 3, 4, 5 & 9)
5	64035	Ring, Retaining
6	64232	Shoe, Brake (2)
7	62703	"T" Bearing, Spin Tube
8	3353956	Cap, Brake Spring (2)
9	387806	Spring, Brake
10	3355360	Sleeve, Brake Spring
11	661516	Cam, Brake Release
12	63022	Sleeve, Cam
13	64194	Driver, Brake Cam
14	90368	Ring, Retaining

FOLLOWING PARTS NOT ILLUSTRATED

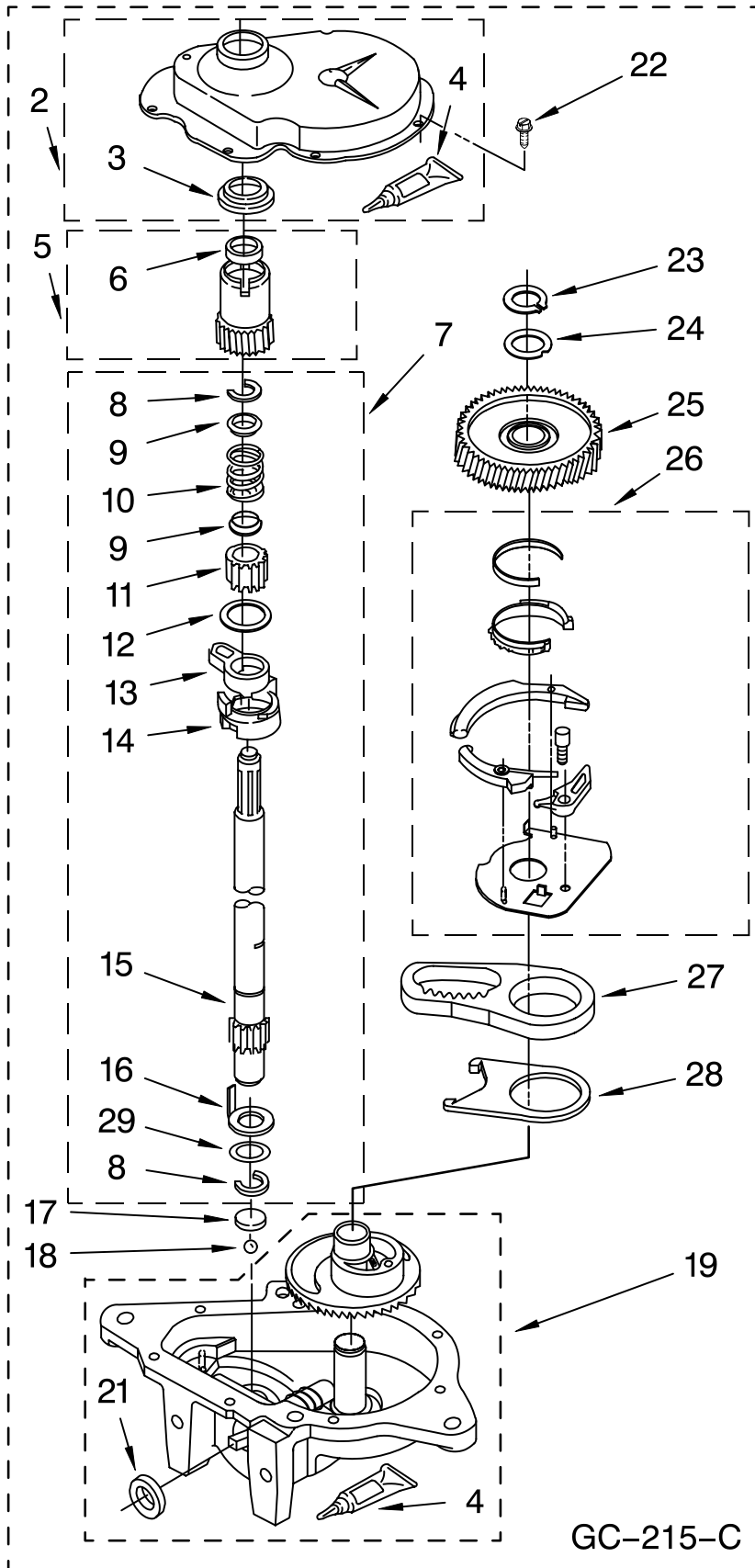
285208 Lubricant
(Use Only In Brake Shoe Assembly On Roller & Pin)

FOR ORDERING INFORMATION REFER TO PARTS PRICE LIST

GEARCASE PARTS

For Models: WTW5800SW0, WTW5800SG0

(White/Grey) (Biscuit/Gold)



Illus. No.	Part No.	DESCRIPTION
1	3360630	Gearcase (Complete)
2	285202	Cover, Gearcase
3	3349985	Seal, Gearcase Cover
4	285195	Sealer, Gasket (.20 Fl. Oz.) (6 ml)
5	63320	Pinion, Spin (Includes Illus. 25)
6	356427	Seal, Spin Pinion
7	389387	Shaft, Agitator (Complete)
8	90369	Ring, Retaining (2)
9	62677	Retainer, Spring
10	62676	Spring, Agitate
11	63273	Gear, Agitate (Includes 15 and 29)
12	62619	Washer, Agitate Gear
13	62580	Cam Follower (Includes 14)
14	62581	Cam, Agitate (Includes 13)
15	285509	Shaft, Agitator (Includes 11 and 29)
16	62618	Washer, Cam Thrust
17	16018	Bearing, Thrust
18	85529	Ball, Bearing
19	389230	Bottom and Pinion, Gearcase
21	285352	Seal, Thrust Plug
22	3351614	Screw, Gearcase Cover, Mounting (8) (10-24 x 3/8)
23	3362552	Ring, Retaining
24	285735	Washer Kit, Thrust
25	62570	Gear, Spin
26	388253	Neutral Assembly
27	3349296	Rack, Connecting
28	62621	Actuator, Shift
29	388815	Washer, Intermediate

GC-215-C

FOR ORDERING INFORMATION REFER TO PARTS PRICE LIST

OPTIONAL PARTS (NOT INCLUDED)

For Models: WTW5800SW0, WTW5800SG0
(White/Grey) (Biscuit/Gold)

Illus. No.	Part No.	DESCRIPTION
-------------------	-----------------	--------------------

PAINT, TOUCH-UP (1/2oz.)

72017 White
4392899 Biscuit

PAINT, PRESSURIZED SPRAY (12 oz.)

350938 Primer, Gray
350930 White
4392901 Biscuit

PAINT, BULK (1 qt.)

799344 White (Uncut)
4392900 Biscuit (Uncut)

OIL

350572 Oil, Gearcase
(16 Oz.)

LUBRICANT

285208 Lubricant (Use
Only in Brake
Shoe Assembly
On Roller and
Pin)

SEALER

285195 Sealer, Gasket
(.20 Fl. Oz.) (6 ml)

ACCESSORY PARTS

367031 Drain Protector
280129 Siphon Break Kit
280130 Drain Hose
Adapter Kit
280131 Drain Hose
Extension Kit

FOR ORDERING INFORMATION REFER TO PARTS PRICE LIST